

# ENDURANCE (SDSS-C)

The Endurance cable cleats are metallic cable cleats which have been designed, constructed, and tested in accordance with the International Standard IEC 61914: Cable cleats for electrical installations, to ensure the securing and retention of cables, without sustaining damage to the cables.

The range is fabricated from 316L stainless steel in 24 sizes from 17 - 128mm.

The top opening is designed to fit more cleats installed side by side, whilst three M10 fixing clearance holes within each base, allow the versatility of installing with either one M10 bolt or two M10 bolts. This enables installation of the Endurance to a variety of mounting surfaces.

The hinge of the Endurance opens fully, allowing cables to be easily placed within the cable cleat, before closing and securing via the mouth piece bolt.

Liners come as standard which help to restrain the cable(s) within vertical applications. Where thermal elongation of cables occurs, the liner also provides a layer of protection between the cable sheath and the cable cleat during normal operation. This additional layer protects the cable from chafing on any mounting surface due to differential movements such as those found in marine and offshore applications. The liners also assist in the extra protection of cable(s) in the event of short circuit fault conditions. The standard liners supplied are classified as Low Smoke and Fume Zero Halogen (LSFOH), Phosphorus-free.



## FEATURES

- Third party certification to IEC 61914
- 316L stainless steel
- 17 - 128mm in 24 sizes for trefoil formation / application
- Short circuit rating of 140kA peak fault
- Operating temperature -50°C to +60°C
- Standard Polymer Liners are classified as Low Smoke and Fume Zero Halogen (LSFOH), Phosphorus-free
- Combined single (M10) or two bolt (M10) fixing design

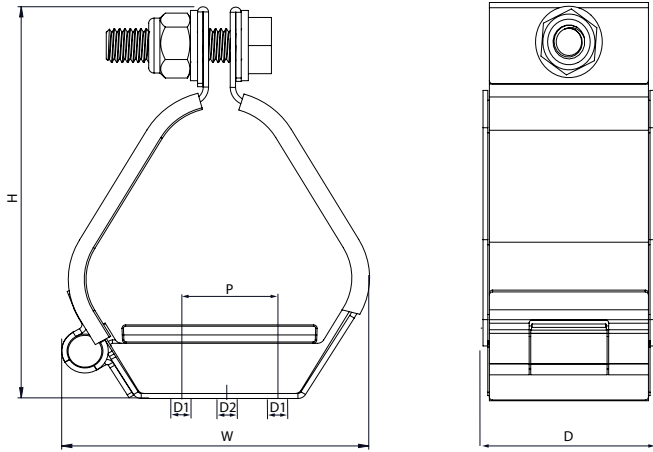


**TECHNICAL DATA & CLASSIFICATION**

TYPE	6.1.3 Composite SDSS-C - Standard Duty Stainless Steel
DESIGN SPECIFICATION	IEC 61914
TEMPERATURE FOR PERMANENT APPLICATION	-50°C to +60°C IEC 61914 clause 6.2
NEEDLE FLAME TEST	Pass - 120 second flame application time IEC 61914 clause 10.0, 10.1, IEC 60695-11-5
LATERAL LOAD TEST	Refer to CMP Products, IEC 61914 clause 9.3
AXIAL LOAD TEST	0.6kN, IEC 61914 clause 9.4
IMPACT RESISTANCE	Pass - Very heavy IEC 61914 clause 6.3, 6.3.5, 9.2
MATERIAL	316L Stainless Steel with Standard Polymer Liner Standard Polymer Liners are classified as Low Smoke and Fume Zero Halogen (LSFOH), Phosphorus-free

**SHORT CIRCUIT TESTING TO IEC 61914 - CLAUSE 9.5**

TREFOIL FORMATION			
One short circuit 300mm fixed cleat centres	Two short circuits 300mm fixed cleat centres	One short circuit 300mm fixed cleat centres	
0.1sec	0.1sec	1sec	
140kA Peak	135kA Peak	80.1kA Peak	
63.6kA r.m.s	61.4kA r.m.s	38.5kA r.m.s	
One short circuits 600mm fixed cleat centres	Two short circuits 600mm fixed cleat centres	One short circuit 600mm fixed cleat centres	Two short circuits 600mm fixed cleat centres
0.1sec	0.1sec	1sec	1sec
109kA Peak	109kA Peak	75.1kA Peak	74.8kA Peak
51.9kA r.m.s	51.9kA r.m.s	35.7kA r.m.s	35.6kA r.m.s



**CABLE CLEAT SELECTION TABLE**

ENDURANCE PART NO.	CABLE Ø RANGE TAKE (mm)	DIMENSIONS (mm)							WEIGHT (g)
		W	H	D	P	FIXING HOLE Ø			
						D1	D2		
SDSSC-017021	17-21	78	88	54	25	2 x M10	1 x M10	337	
SDSSC-019024	19-24	79	89	54	25	2 x M10	1 x M10	349	
SDSSC-023028	23-28	79	96	54	25	2 x M10	1 x M10	353	
SDSSC-027032	27-32	82	104	54	25	2 x M10	1 x M10	357	
SDSSC-030035	30-35	84	110	54	25	2 x M10	1 x M10	367	
SDSSC-033038	33-38	87	117	54	25	2 x M10	1 x M10	379	
SDSSC-036042	36-42	113	123	54	50	2 x M10	1 x M10	444	
SDSSC-040046	40-46	115	131	54	50	2 x M10	1 x M10	457	
SDSSC-044050	44-50	117	139	54	50	2 x M10	1 x M10	472	
SDSSC-048055	48-55	123	148	54	50	2 x M10	1 x M10	489	
SDSSC-051058	51-58	127	154	54	50	2 x M10	1 x M10	503	
SDSSC-055062	55-62	147	161	54	75	2 x M10	1 x M10	560	
SDSSC-059066	59-66	151	169	54	75	2 x M10	1 x M10	573	
SDSSC-063070	63-70	154	177	54	75	2 x M10	1 x M10	587	
SDSSC-067074	67-74	157	184	54	75	2 x M10	1 x M10	602	
SDSSC-071078	71-78	161	192	54	75	2 x M10	1 x M10	613	
SDSSC-074082	74-82	191	199	54	75	2 x M10	1 x M10	687	
SDSSC-077085	77-85	192	205	54	75	2 x M10	1 x M10	703	
SDSSC-082088	82-88	193	210	54	75	2 x M10	1 x M10	711	
SDSSC-088096	88-96	204	225	54	75	2 x M10	1 x M10	733	
SDSSC-096103	96-103	217	239	54	75	2 x M10	1 x M10	755	
SDSSC-103111	103-111	236	254	54	75	2 x M10	1 x M10	853	
SDSSC-111119	111-119	250	269	54	75	2 x M10	1 x M10	884	
SDSSC-119128	119-128	267	285	54	75	2 x M10	1 x M10	915	