

# LEGION (LDAL-C)

The Legion cable cleats are metallic cable cleats which have been designed, constructed, and tested in accordance with the International Standard IEC 61914: Cable cleats for electrical installations, to ensure the securing and retention of cables, without sustaining damage to the cables.

The range is fabricated from 5000 series aluminium and is available in 23 sizes to suit cable diameters 19mm to 128mm.

The top opening is designed to fit more cleats installed side by side, whilst three M10 fixing clearance holes within each base, allow the versatility of installing with either one M10 bolt or two M10 bolts. This enables installation of the Legion to a variety of mounting surfaces.

The hinge of the Legion opens fully, allowing cables to be easily placed within the cable cleat, before closing and securing via the mouth piece bolt.

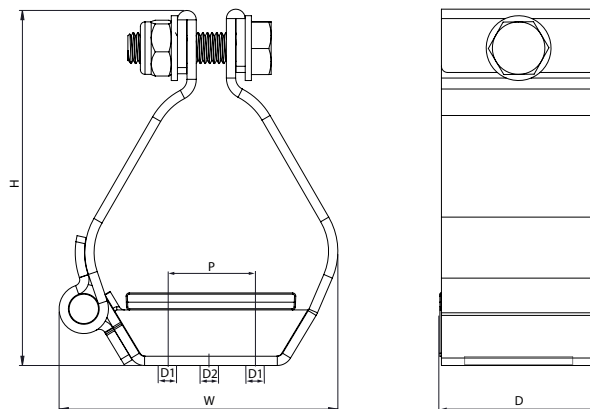


## FEATURES

- Third party certification to IEC 61914
- 5000 series aluminium
- 19 - 128mm in 23 sizes for trefoil formation/application
- Operating temperature -50°C to +60°C
- Combined single (M10) or two bolt (M10) fixing design

TECHNICAL DATA & CLASSIFICATION	
TYPE	6.1.3 Composite LDAL-C - Aluminium
DESIGN SPECIFICATION	IEC 61914
TEMPERATURE FOR PERMANENT APPLICATION	-50°C to +60°C IEC 61914 clause 6.2
NEEDLE FLAME TEST	Pass - 120 second flame application time IEC 61914 clause 10.0, 10.1, IEC 60695-11-5
LATERAL LOAD TEST	Refer to CMP Products, IEC 61914 clause 9.3
AXIAL LOAD TEST	Refer to CMP Products, IEC 61914 clause 9.4
IMPACT RESISTANCE	Pass - Very heavy IEC 61914 clause 6.3, 6.3.5, 9.2
MATERIAL	5000 Series Aluminium

SHORT CIRCUIT TESTING TO IEC 61914 - CLAUSE 9.5			
TREFOIL FORMATION			
One short circuit 300mm fixed cleat centres	One short circuit 300mm fixed cleat centres	One short circuit 600mm fixed cleat centres	One short circuit 600mm fixed cleat centres
0.1 sec	1 sec	0.1 sec	1 sec
114kA Peak	71kA Peak	86kA Peak	55.2kA Peak
51.8kA r.m.s	33.8kA r.m.s	40.1kA r.m.s	26.2kA r.m.s



## CABLE CLEAT SELECTION TABLE

LEGION PART NO.	CABLE Ø RANGE TAKE (mm)	DIMENSIONS (mm)						WEIGHT (g)
		W	H	D	P	FIXING HOLE Ø		
						D1	D2	
LDALC019023	19-23	68	87	58	N/A	N/A	1 x M10	220
LDALC023028	23-28	84	96	50	25	2 x M10	1 x M10	208
LDALC027032	27-32	84	104	50	25	2 x M10	1 x M10	215
LDALC031035	31-35	87	110	50	25	2 x M10	1 x M10	220
LDALC034038	34-38	90	115	50	25	2 x M10	1 x M10	225
LDALC037042	37-42	116	123	50	50	2 x M10	1 x M10	286
LDALC041046	41-46	116	130	50	50	2 x M10	1 x M10	293
LDALC045050	45-50	119	138	50	50	2 x M10	1 x M10	299
LDALC049055	49-55	124	147	50	50	2 x M10	1 x M10	308
LDALC052058	52-58	127	153	50	50	2 x M10	1 x M10	314
LDALC056062	56-62	147	160	50	75	2 x M10	1 x M10	366
LDALC060066	60-66	150	168	50	75	2 x M10	1 x M10	373
LDALC064070	64-70	154	175	50	75	2 x M10	1 x M10	380
LDALC068074	68-74	158	183	50	75	2 x M10	1 x M10	388
LDALC072078	72-78	162	190	50	75	2 x M10	1 x M10	396
LDALC076082	76-82	187	198	50	75	2 x M10	1 x M10	468
LDALC080086	80-86	190	205	50	75	2 x M10	1 x M10	475
LDALC084090	84-90	194	213	50	75	2 x M10	1 x M10	482
LDALC090098	90-98	202	228	50	75	2 x M10	1 x M10	498
LDALC098103	98-103	212	237	50	75	2 x M10	1 x M10	508
LDALC103111	103-111	235	252	50	75	2 x M10	1 x M10	596
LDALC111119	111-119	244	267	50	75	2 x M10	1 x M10	611
LDALC119128	119-128	262	284	50	75	2 x M10	1 x M10	629